

FAG

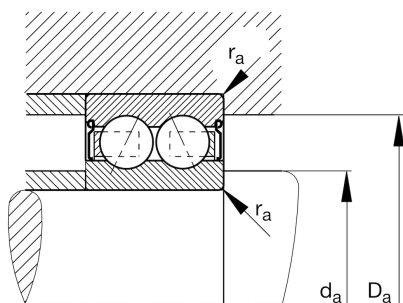
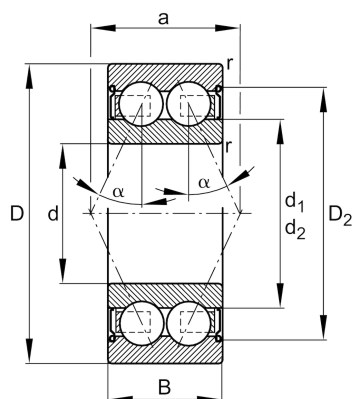
3200-BB-2Z-TVH

Angular contact ball bearing

Schaeffler ID:
0219392840000

Angular contact ball bearing 32..-B-2Z-TVH, double row, shields, plastic cage

Technical information



Main Dimensions & Performance Data

d	10 mm	Bore diameter
D	30 mm	Outside diameter
B	14 mm	Width
C_r	7.800 N	Basic dynamic load rating, radial
C_{0r}	4.450 N	Basic static load rating, radial
C_{ur}	233 N	Fatigue load limit, radial
n_G	21.100 1/min	Limiting speed
n_{gr}	21.000 1/min	Reference speed
	0,05 kg	Weight

Dimensions

r_{min}	0,6 mm	Minimum chamfer dimension
D_2	24,9 mm	Caliber diameter outer ring
d_2	15,5 mm	Caliber diameter inner ring
a	14,8 mm	Distance between the apexes of the pressure cones
α	25 °	Contact angle

Mounting dimensions

$d_{a min}$	14,2 mm	Minimum diameter shaft shoulder
$D_{a max}$	25,8 mm	Maximum diameter of housing shoulder
$r_{a max}$	0,6 mm	Maximum fillet radius

Temperature range

T_{min}	-20 °C	Operating temperature min.
T_{max}	120 °C	Operating temperature max.